

Audio/Visual



WLESS-RSM-WS(RED)-AS
Standard Wall Sounder

Standard Features

The FIREwave wall sounders are fully intelligent wireless alarm signalling units, providing a signalling solution for a wide variety of system sizes and types.

Sounder parameters are programmed via the Translator Module (RSM-WTM-AS) and conventional interface modules via a PC Link. The Translator Module automatically manages sounder radiated power depending on the device communication quality. All wall sounders can then adjust their frequency and radiated power output in accordance with the signal quality received from the Translator Module.

The Sounders come as standard with three tones and are fitted with a volume control which is adjustable up to a maximum output of 100dB(A).

All devices are fully controllable from the Control Panel via the Translator Module and offer the same level of flexibility as a standard addressable loop sounder.

Bi-directional wireless communication with self optimising wireless frequency and amplitude

Automatic wireless channel hopping

Fully intelligent with high reliability and sensitivity

Flexible on site device adjustment

Easy and cost-effective additions to existing wired systems

Utilises standard low cost lithium battery technology

Fully monitored primary and secondary power sources

10 variants of wall sounder available including weatherproof

Compliant with AS4428.9 and AS7240

Temperature compensation algorithms ensure a reliable and stable operation across a wide temperature range

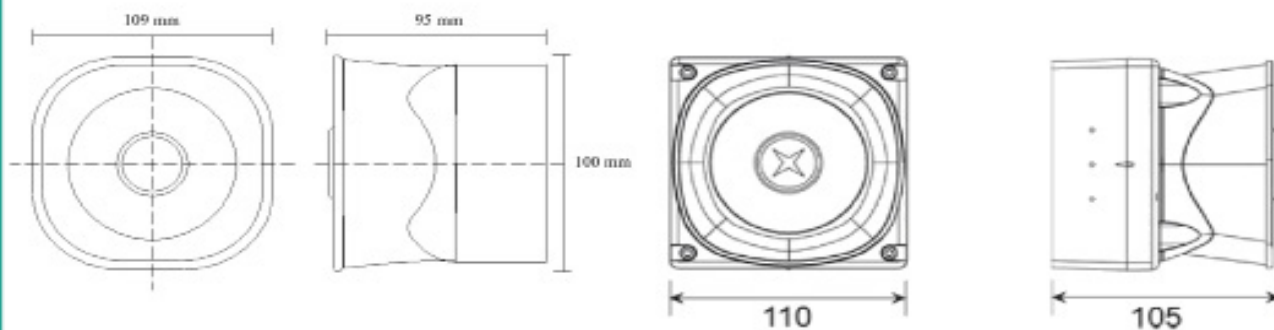
* (also available in white)

** (also available in red)

Technical Specifications

Ordering codes	WLESS-RSM-WS(RED)-AS	WLESS-RSM-WS(WHT)-AS
Standard Wall Sounders	WLES-RSM-WS/W(RED)-AS	WLESS-RSM-WS/W(WHT)-AS
Weatherproof Wall Sounders	WLESS-RSM-WSB(RED)-AS	WLESS-RSM-WSB(WHT)-AS
Standard Wall Sounder Beacons	WLESS-RSM-WSB/W(RED)-AS	WLESS-RSM-WSB/W(WHT)-AS
Weatherproof Wall Sounder Beacons	100M (open space)	
Communication range with the Translator Module	916 MHz	
Operating frequency	Frequency Modulation	
Modulation type	7	
Number of operating channels	From 7 seconds to 1 minute	
Time period between wireless signal transmissions	1 x Primary Cell (CR123A)	1 x Secondary Cell (CR123A)
Power supply (dual 3V lithium batteries)	1.2 Ahr	1.2 Ahr
Capacity	3 years	3 months
Estimated battery life*	-10 °C to +50 °C (standard) -25 °C to +50 °C (weatherproof)	
Operating temperature range	0.01 - 3 mW	
Radiated power	100 dB (A) at 1 metre	
Maximum sound output (adjustable by 20dB)	1 Hz / 1 Cd	
Flash rate / Light output (Beacon only)	IP21C (standard)	IP66 (weatherproof)
IP Rating		

DIMENSIONS



RSM-WS-AS & RSM-WSB-AS

RSM-WSW-AS & RSM-WSB/W-AS

POWER SUPPLY

The primary and secondary cells alternate in providing power to the Sounder. The FIREwave Translator Module monitors the condition of both batteries and shows a low battery warning by using an internal LED as well as a fault indication at the Translator Module and fire Control Panel.

Indication of device in standard mode following battery installation	Green LED Fast blinking
Installation of device in programming mode following battery switch on	Red LED 4 short flashes
Device in Self Adjustment Mode	Red LED on with occasional blink

LED INDICATORS

The FIREwave Translator Module monitors the condition of both batteries and shows a discharge of either using an internal LED indicator as well as a fault indication at the Translator Module and Fire Detection Control Equipment.

A bi-coloured (red and green) LED indicator provides information regarding the operational modes and condition of the power supplies.

The indicator also provides information during the commissioning of the device and enables the installer to establish the most suitable mounting location to ensure best signal strength and operating stability.